

All-in-one Video Collaboration Bar MeetingBar A20

RingCentral Edition



English | 简体中文

Quick Start Guide (V1.0)

Package Contents

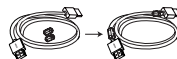
• Standard accessories



MeetingBar A20



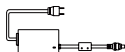
3m Ethernet Cable



1.8m HDMI Cable x2
(for the display device)



Cable Ties x5



Power Adapter



Mounting Bracket and Accessories

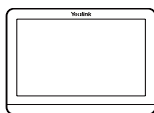


Silicone Pad x2



Quick Start Guide

• Optional accessories



CTP18

Touch Panel Package



VCH51

VCH51 Sharing Kit (*Coming soon)



WPP20

Wireless Presentation Pod (*Coming soon)

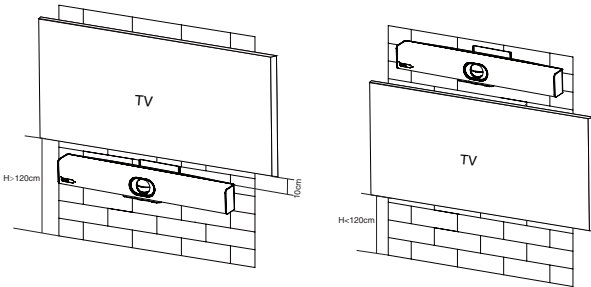
Note:

- We recommend that you use the accessories provided or approved by Yealink. The unapproved third-party accessories may result in reduced performance.
- Use the Yealink original adapter (48V/0.7A) to charge the endpoint only. The use of the third-party adapter may cause the damage to the endpoint.
- Put the magnet rings on the HDMI cable to prevent electromagnetic interference.

Endpoint Installation

- Mount on a Wall

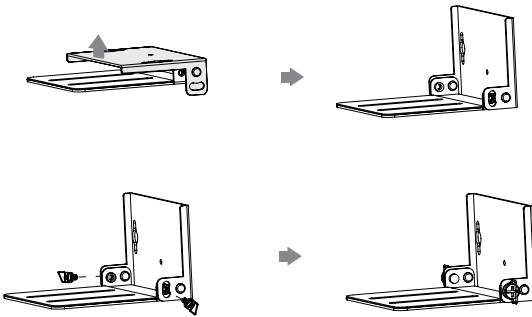
A20 position



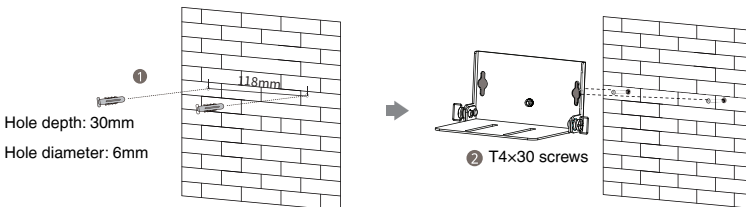
Wall Mounting

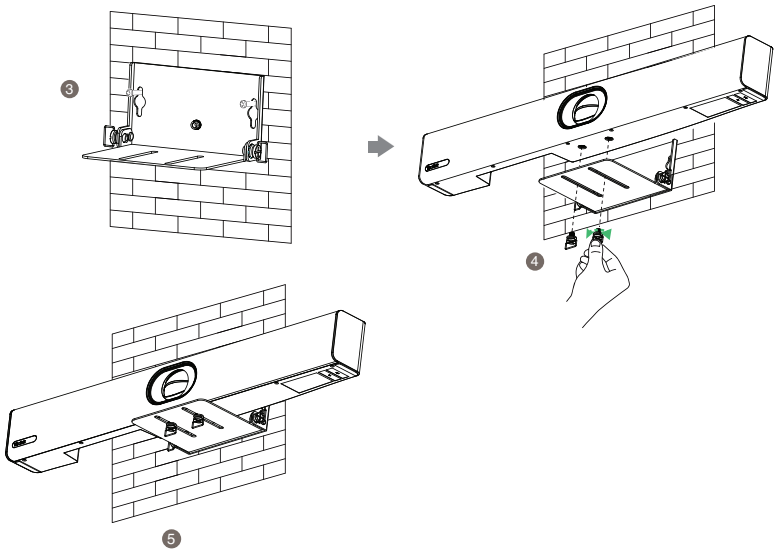
Use the bracket to mount your endpoint on a wall. The mounting height affects your camera view. The recommended height is 1.1m above the ground.

Step1: Assemble the mounting bracket

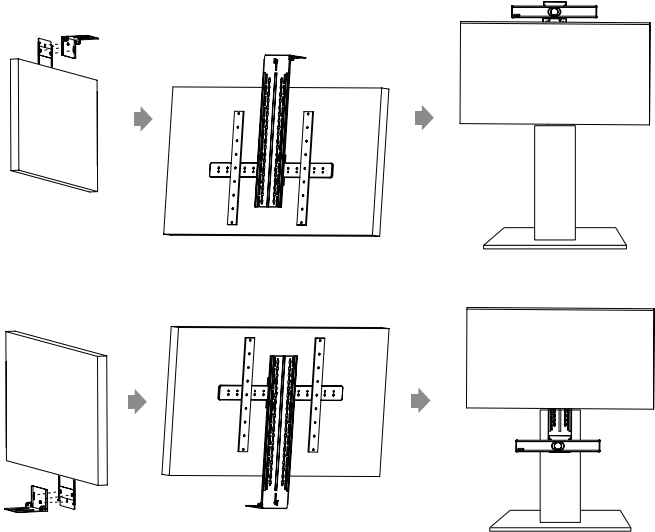


Step2: Mount the A20 to the wall



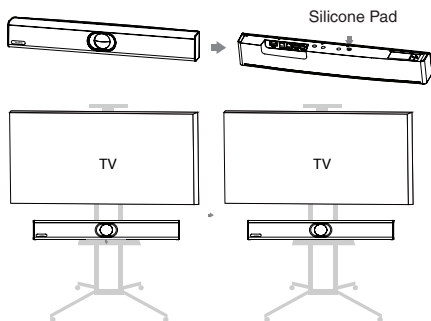


• Using Yealink TV Mount Bracket

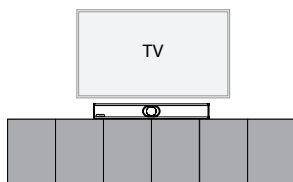


Note: The TV stand should be purchased separately.

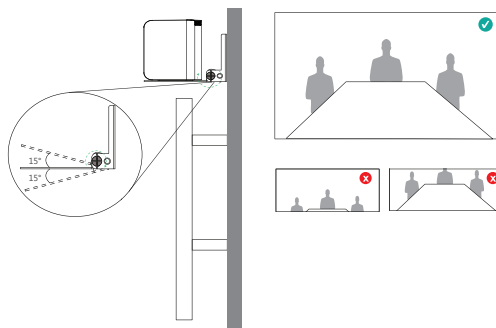
- Put on a TV stand cart platform



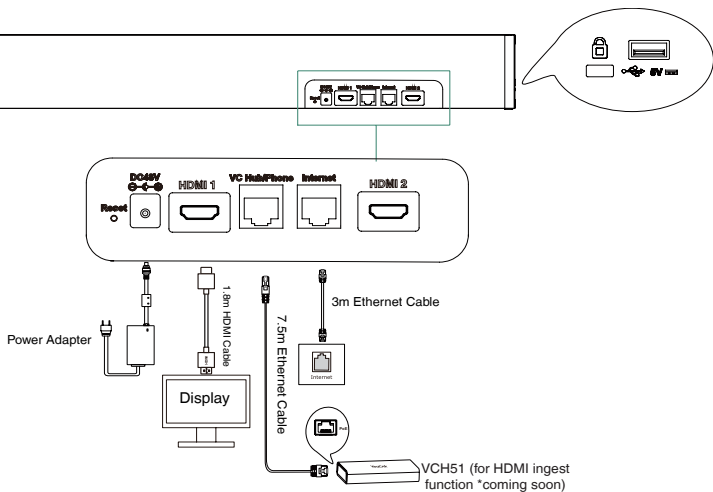
- Put on a desk



Adjusting the Camera Tilt



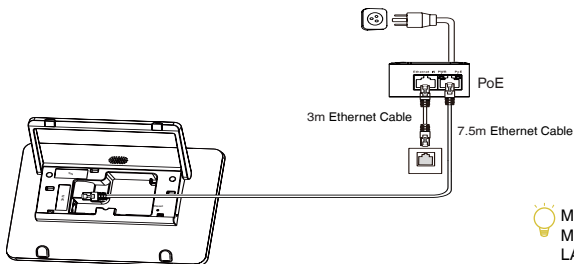
Endpoint Connections



Note:

- If you only need to use one display, please connect to HDMI 1 port.
- If you connect a touch display device, you can operate the A20 by touch control.
- If you connect a non-touch display device, you can use the mouse or CTP18.

CTP18 Connection



Pair the CTP18 with A20-RingCentral:

1. If you get the bundle devices, the pairing will be automatically done by the system. You need to enter the APP pairing code and sign in to the RingCentral account on CTP18 to complete the pairing and start the meeting.
2. If you get a single new CTP18, enter the IP address of the A20 in CTP18 to make the system pre-pairing, enter the APP pairing code and sign to the RingCentral account on CTP18 to complete the pairing and start the meeting.

包装清单

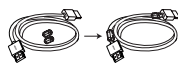
· 标准配件



MeetingBar A20



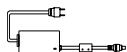
3米网线



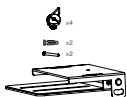
1.8米HDMI线 ×2
(用于接显示设备)



束线带 ×5



电源适配器



支架配件
(用于安装主机)



硅胶垫 ×2



快速入门指南

· 可选配件



CTP18

触控平板



VCH51

有线投屏套件
(* 即将推出)



WPP20

无线传屏器
(* 即将推出)

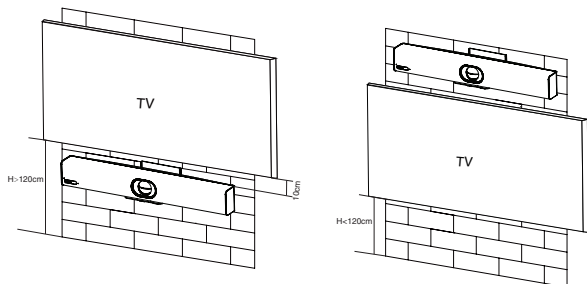
说明:

- 此为 A 级产品。在生活环境中, 该产品可能会造成无线电干扰。在这种情况下, 可能需要用户对干扰采取切实可行的措施。
- 我们推荐使用由亿联提供或经亿联认可的配件和线缆, 使用未经认可的第三方配件和线缆可能会导致性能的下降。
- 使用 HDMI 线前, 请套上磁环用于抗电磁干扰。

安装终端

· 墙装

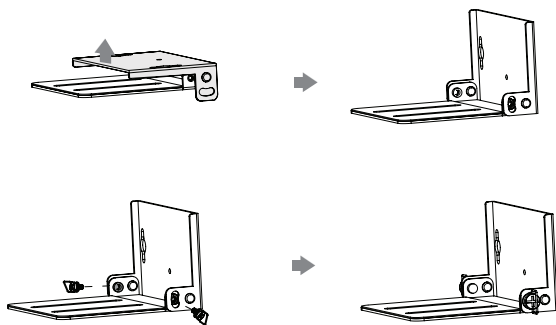
A20 位置



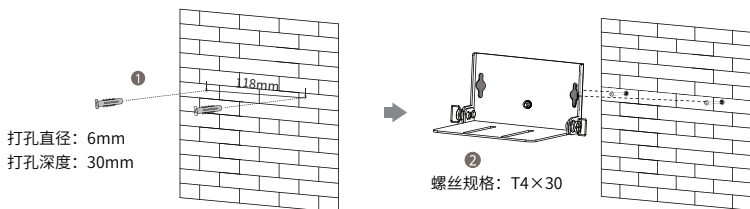
墙装

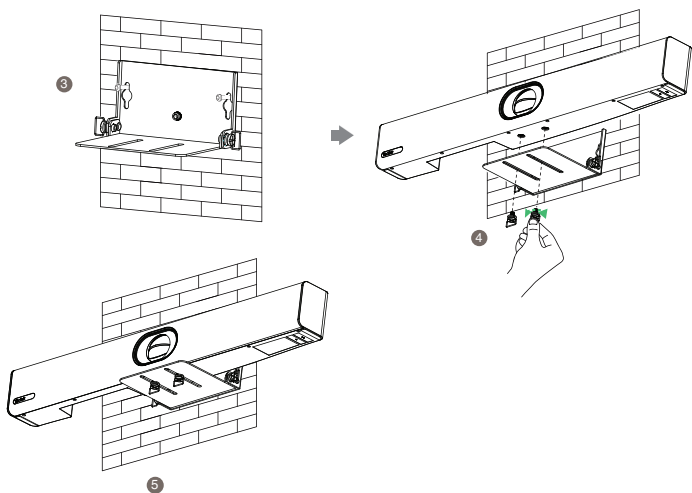
使用支架将终端安装在墙上。安装高度会影响摄像机的视野，建议终端安装的高度为离地面 1.1m。

步骤 1：安装支架

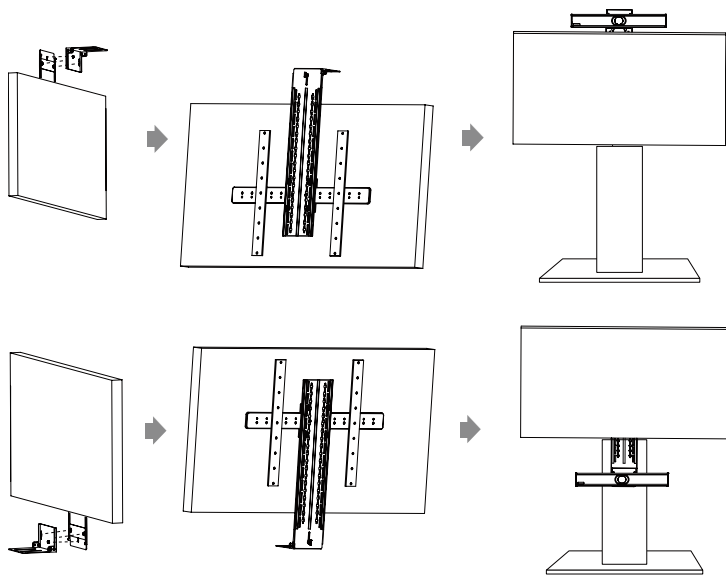


步骤 2：墙装



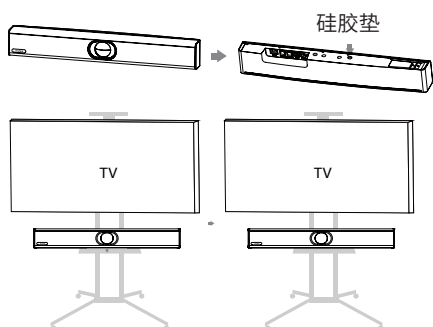


· 使用亿联专用电视挂架

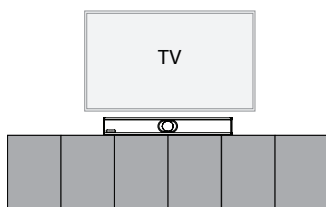


说明：电视架需单独购买。

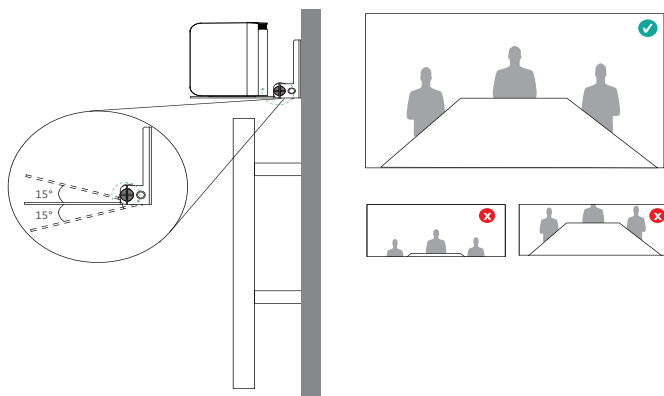
· 置于电视推车



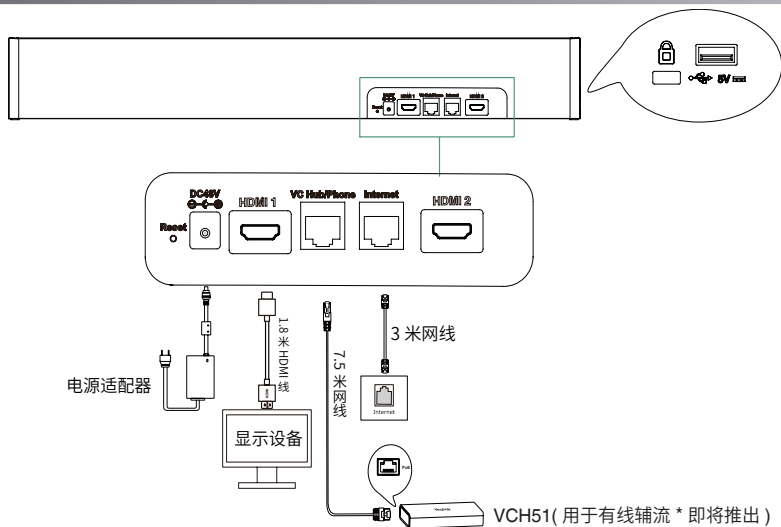
· 置于桌面



调整倾斜角度



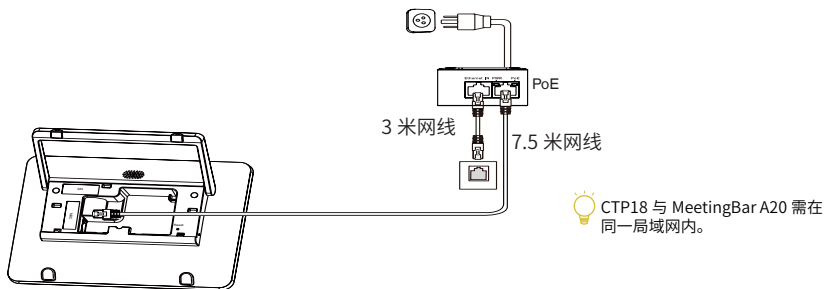
连接终端



说明:

- 如果你只连接一个显示器，我们推荐优先使用 HDMI 1 口。
- 如果你连接的是触控式显示设备，你可以使用触摸屏操作终端。
- 如果你连接的是非触控式显示设备，你可以使用鼠标或 CTP18 操作终端。

连接 CTP18



CTP18 与 A20-RingCentral 配对:

1. 如果你购买了组合套包，系统在出厂时已完成了配对。你只需在 CTP18 上输入 APP 配对码并登录 RingCentral 账号完成配对。
2. 如果你购买独立的 CTP18，在 CTP18 上输入终端的 IP 地址后，输入 APP 配对码并登录 RingCentral 账号完成配对。

Regulatory Notices

Operating Ambient Temperatures

- Operating temperature: +32 to 104°F (0 to 40°C)
- Relative humidity: 5% to 90%, noncondensing
- Storage temperature: -22 to +160°F (-30 to +70°C)

Warranty

Our product warranty is limited only to the unit itself, when used normally in accordance with the operating instructions and the system environment. We are not liable for damage or loss resulting from the use of this product, or for any claim from a third party. We are not liable for problems with Yealink device arising from the use of this product; we are not liable for financial damages, lost profits, claims from third parties, etc., arising from the use of this product.

Explanation of the symbols

•DC symbol

is the DC voltage symbol.

•WEEE Warning symbol



To avoid the potential effects on the environment and human health as a result of the presence of hazardous substances in electrical and electronic equipment, end users of electrical and electronic equipment should understand the meaning of the crossed-out wheeled bin symbol. Do not dispose of WEEE as unsorted municipal waste and have to collect such WEEE separately.

•Restriction of Hazardous Substances Directive (RoHS)

This device complies with the requirements of the EU RoHS Directive. Statements of compliance can be obtained by contacting support@yealink.com.

•Safety Instructions

Save these instructions. Read these safety instructions before use!



General Requirements

- Before you install and use the device, read the safety instructions carefully and observe the situation during operation.
- During the process of storage, transportation, and operation, please always keep the device dry and clean, avoid collision and crash.
- Please attempt not to dismantle the device by yourself. In case of any discrepancy, please contact the appointed maintenance center for repair.
- Please refer to the relevant laws and statutes while using the device. Legal rights of others should be respected as well.



Environmental Requirements

- Place the device at a well-ventilated place. Do not expose the device under direct sunlight.
- Keep the device dry and free of dusts.
- Do not place the device on or near any inflammable or fire-vulnerable object, such as rubber-made materials.
- Keep the device away from any heat source or bare fire, such as a candle or an electric heater.



Operating Requirements

- Do not let a child operate the device without guidance.
- Do not let a child play with the device or any accessory in case of accidental swallowing.
- Please use the accessories provided or authorized by the manufacturer only.
- The power supply of the device shall meet the requirements of the input voltage of the device. Please use the provided surge protection power socket only.
- Before plugging or unplugging any cable, make sure that your hands are completely dry.
- Do not spill liquid of any kind on the product or use the equipment near water, for example, near a bathtub, washbowl, kitchen sink, wet basement or near a swimming pool.
- During a thunderstorm, stop using the device and disconnect it from the power supply. Unplug the power plug and the Asymmetric Digital Subscriber Line (ADSL) twisted pair (the radio frequency cable) to avoid lightning strike.
- If the device is left unused for a rather long time, disconnect it from the power supply and unplug the power plug.
- When there is smoke emitted from the device, or some abnormal noise or smell, disconnect the device from the power supply, and unplug the power plug immediately.

About Yealink

Yealink (Stock Code: 300628) is a global brand that specializes in video conferencing, voice communications and collaboration solutions with best-in-class quality, innovative technology and user-friendly experience. As one of the best providers in more than 140 countries and regions, Yealink ranks No.1 in the global market share of SIP phone shipments (Global IP Desktop Phone Growth Excellence Leadership Award Report, Frost & Sullivan, 2019).

Technical Support

Visit Yealink Wiki (<http://support.yealink.com>) for the latest firmware, guides, FAQ, Product documents, and more. For better service, we sincerely recommend you to use Yealink Ticketing system (<https://ticket.yealink.com>) to submit all your technical issues.

•Contact the specified maintenance center for repair.

- Do not insert any object into equipment slots that is not part of the product or auxiliary product.
- Before connecting a cable, connect the grounding cable of the device first. Do not disconnect the grounding cable until you disconnect all other cables.



Operating Requirements

- Before cleaning the device, disconnect it from the power supply.
- Use a piece of soft, dry and anti-static cloth to clean the device.
- Keep the power plug clean and dry.

Troubleshooting

The unit cannot supply power to device other than Yealink device.

There is a bad connection with the plug.

1. Clean the plug with a dry cloth.
2. Connect it to another wall outlet.

The usage environment is out of operating temperature range.

1. Use in the operating temperature range.

The cable between the unit and the Yealink device is connected incorrectly.

1. Connect the cable correctly. You cannot connect the cable properly.
1. You may have connected a wrong Yealink device.
2. Use the correct power supply. Some dust, etc., may be in the port.

1. Clean the port.

Contact your dealer or authorized service facility for any further questions.

FCC Statement

This device complies with part 15 of the FCC Rules. Operation is subject to the following two conditions: (1) this device may not cause harmful interference, and (2) this device must accept any interference received, including interference that may cause undesired operation. Any Changes or modifications not expressly approved by the party responsible for compliance could void the user's authority to operate the equipment.

IC Statement

This device complies with Industry Canada's licence-exempt RSSs. Operation is subject to the following two conditions:

- (1) this device may not cause interference; and
- (2) this device must accept any interference, including interference that may cause undesired operation of the device. CAN ICES-3(B)

Le présent appareil est conforme aux CNR d'Industrie Canada applicables aux appareils radio exempts de licence. L'exploitation est autorisée aux deux conditions suivantes :

- (1) l'appareil ne doit pas produire de brouillage;
- (2) l'utilisateur de l'appareil doit accepter tout brouillage radioélectrique subi, même si le brouillage est susceptible d'en compromettre le fonctionnement. NMB-3(B)

Radiation Exposure Statement

This equipment complies with FCC and IC radiation exposure limits set forth for an uncontrolled environment. This equipment should be installed and operated with minimum distance 20cm between the radiator and your body.

Cet équipement ne doit pas être Co-placé ou en fonctionnement en même temps qu'aucune autre antenne ou émetteur. Cet équipement devrait être installé et actionné avec une distance minimum de 20 centimètres entre le radiateur et votre corps.

Contact Information

YEALINK NETWORK TECHNOLOGY CO.,LTD.
309, 3rd Floor, No.16, Yun Ding North Road, Huli District, Xiamen City, Fujian, P.R.C
YEALINK (EUROPE) NETWORK TECHNOLOGY B.V.
Strawinskylaan 3127, Atrium Building, 8th floor, 1077ZX Amsterdam, The Netherlands
YEALINK (USA) NETWORK TECHNOLOGY CO., LTD.
999 Peachtree Street Suite 2300, Fulton, Atlanta, GA, 30309, USA
Made in China



YEALINK(XIAMEN) NETWORK TECHNOLOGY CO.,LTD.

Web: www.yealink.com

Copyright©2021 YEALINK(XIAMEN) NETWORK TECHNOLOGY CO.,LTD.All rights reserved.