



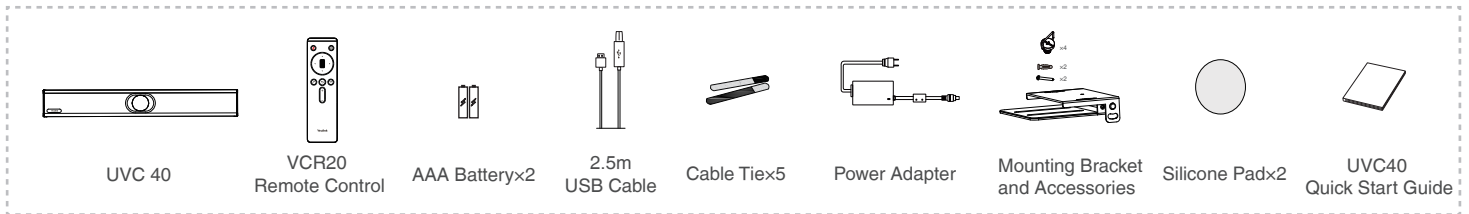
Yealink Network Technology CO., LTD

Yealink ZVC400 for Zoom Rooms Kit

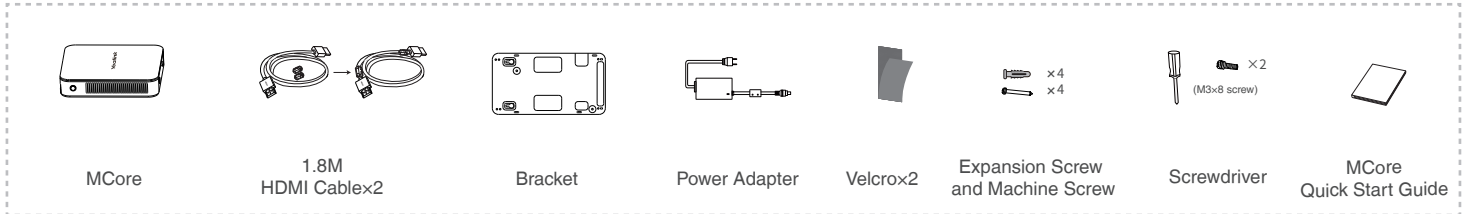
Quick Start Guide(V1.0)

English | 简体中文

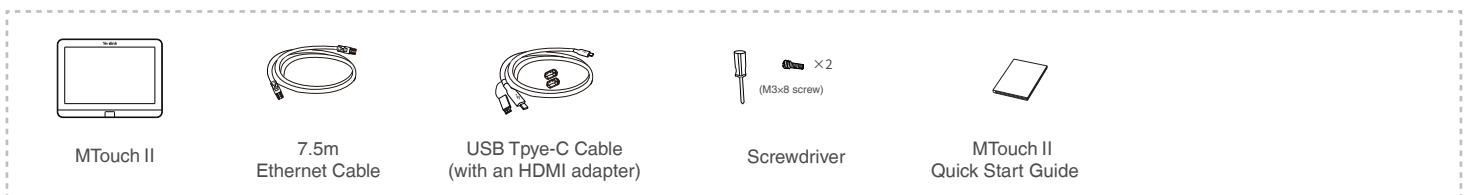
Package Contents



UVC40 Package (Camera)



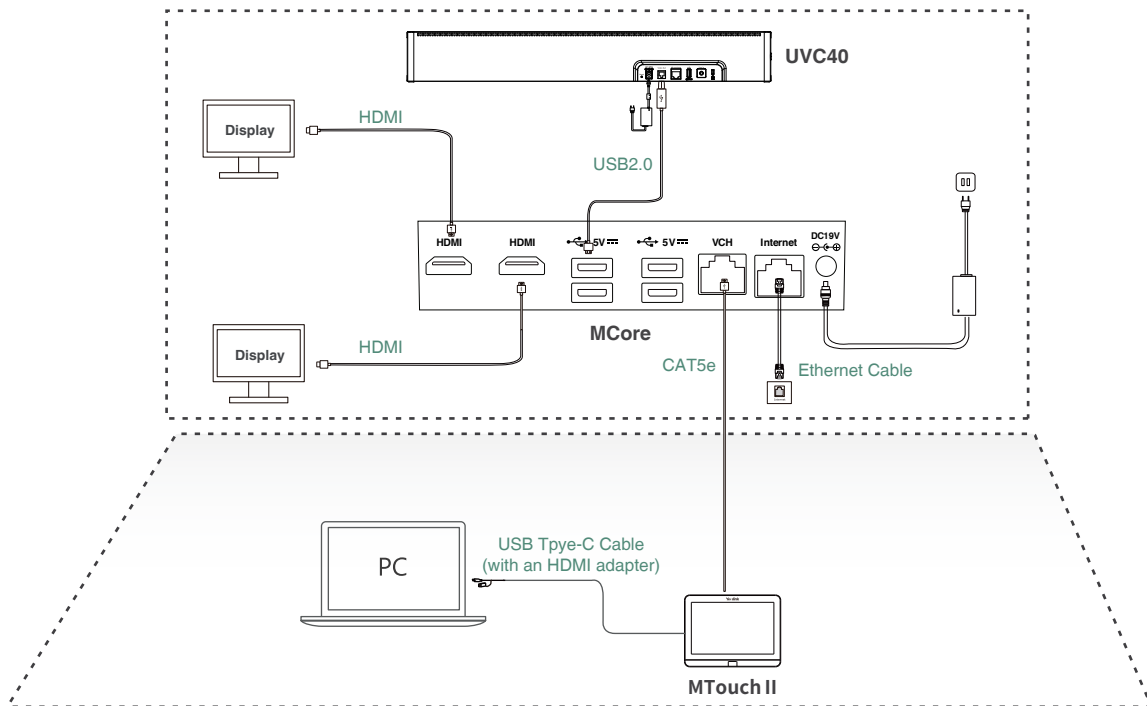
MCore Package (Mini-PC)



MTouch II Package (Touch Console)

💡 We recommend that you use the accessories provided or approved by Yealink. The use of unapproved third-party accessories may result in poor performance.

ZVC400 Connection



💡 When starting up the system for the first time, you need to connect a mouse to complete the initial configuration. We recommend using the wireless mouse and keyboard kit.

💡 For more information about the installation and deployment of accessories (for example, the installation of the MCore package or the UVC40 camera), refer to the Quick Start Guide of corresponding accessory.

Setting UVC40 as Default Microphone, Speaker and Camera

Procedure

1. Tap **Settings** on the touch screen.
2. Disable **Lock Settings**.
You need to enter the room password to change the setting.
3. Tap the **Microphone** field and then select **Echo Cancelling Speakerphone (Yealink UVC40 Audio)** as your audio input device from the **SOURCE** field.
4. Tap the **Speaker** field and then select **Echo Cancelling Speakerphone (Yealink UVC40 Audio)** as your audio output device from the **SOURCE** field.
5. Tap the **Camera** field and then select **Yealink UVC40 Camera** as your default camera from the **SOURCE** field.

Signing Into Your Zoom Rooms Account

Procedure

1. Tap **Sign In** on the **Meet Now** screen.
2. Enter the email and password.
3. Tap **Sign In**.

Signing Out of Your Zoom Rooms Account

Procedure

1. Tap **Settings** on the touch screen.
2. Navigate to **Room->Sign Out**.
3. If the **Lock Settings** is enabled, enter the room password and then tap **OK**.

Controlling UVC40 Camera Position

Procedure

1. Tap Camera Control during a meeting.
2. Tap **+** or **-** to zoom camera in/out.
3. Tap the navigation keys to pan/tilt the camera.

Wireless Sharing

You can use Yealink WPP20 wireless presentation pod for wireless content sharing.

WPP20 needs to be purchased separately.

Make sure the MTouch II is connected to the MCore.

Procedure

1. Connect the WPP20 to the USB port of the MTouch II .
2. Wait for about 3 seconds, the WPP20 LED indicator glows solid green.
The WPP20 is paired with the MTouch II successfully.
3. Connect the WPP20 to the PC.



Upgrading System Software through Windows Update

ZoomRooms account is the default account from which the Zoom Rooms app runs. Only the ZoomRoomsAdmin account has access to return to the desktop of the mini-PC to manage the devices (including the Windows, the UVC40 and the MTouch II). After switching the user account to ZoomRoomsAdmin, you can enable Windows Update service to update the devices.

💡 We recommend using the wireless mouse and keyboard to complete the Windows configuration.

Switching to the ZoomRoomsAdmin Account

Procedure

1. Press **Ctrl+Alt+Delete** and then select **Sign out**.
2. Click the **ZoomRoomsAdmin** account from the bottom-left corner and then enter the password (default: zoom123) to return to the desktop of the mini-PC.

💡 The default password required to switch back to the ZoomRooms account is zoom123.

Enabling Windows Update Service

Procedure

1. Open a command prompt Windows on your mini-PC.
2. Type **services.msc**, and press **Enter**.
3. Find **Windows Update** service, and double-tap to open **Properties**.
4. Enable **Windows Update** service from the **Startup type** field.
5. Click **OK**.

Update the Devices

The devices can be upgraded manually or can be automatically upgraded if you enable automatic Windows Update.

Enabling Automatically Windows Update

Procedure

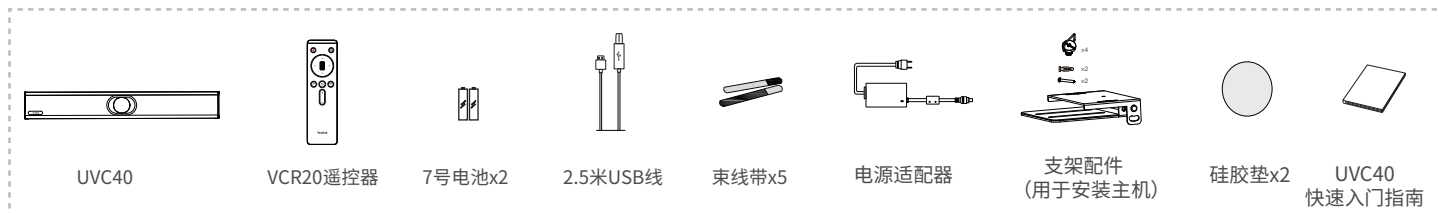
1. Click the Start button, and then go to **Settings->Upgrade & Security->Windows Update**, and select **Advanced options**.
2. Enable **Automatically download updates, even over metered data connection(charge may apply)**.

Manually Windows Update

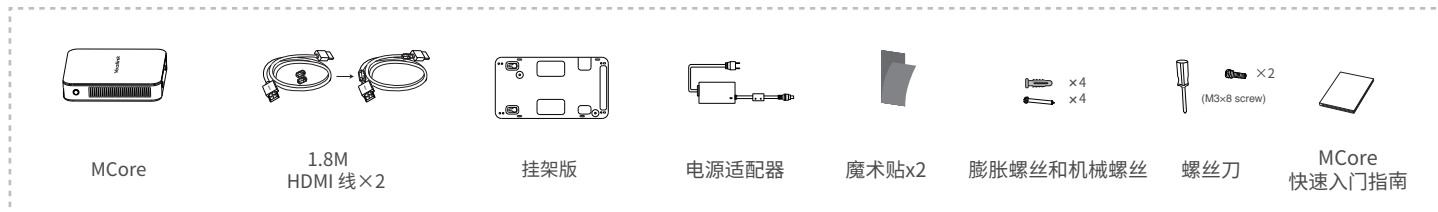
Procedure

1. Do one of the following:
 - Click the Start button to open the **Power User Menu**.
Click **Device Manager**.
Right click the desired device and then select **Update driver**.
Select a desired way to update.
 - Click the Start button, and then go to **Settings->Upgrade & Security->Windows Update**, and select **Check for updates**.
Select the device and then complete the installation.

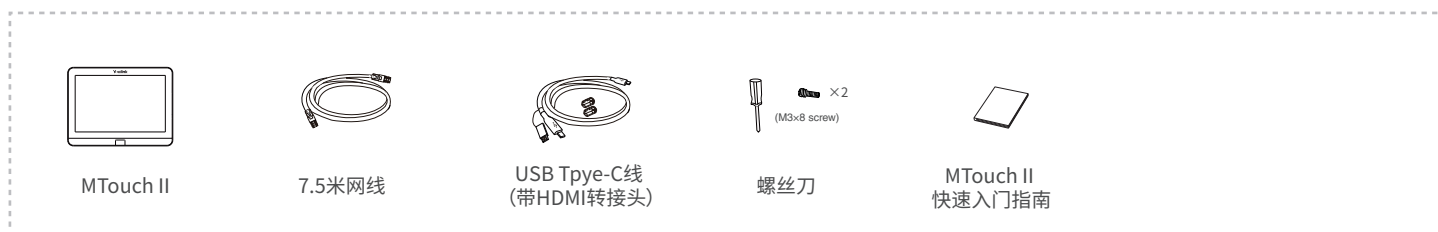
包装清单



UVC40套件(摄像机)



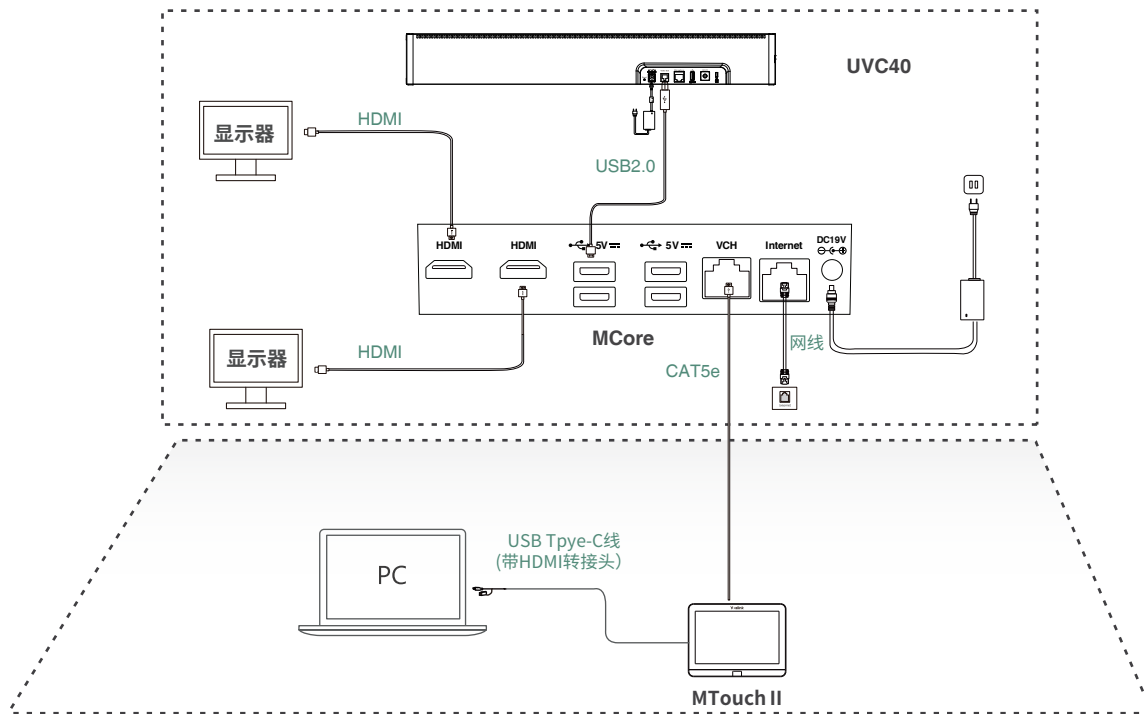
MCore套件(Mini-PC)



MTouch II 套件(触控平板)

💡 我们推荐使用由Yealink提供或经Yealink认可的配件和线缆,使用未经认可的第三方配件和线缆可能会导致性能的下降。

连接ZVC400



💡 首次启动时,你需要在MCore上连接一个鼠标来完成系统初始化配置,我们推荐使用无线键鼠套装。

💡 更多关于如何安装和部署配件(例如安装MCore或UVC40摄像机),请参阅相应配件的快速入门指南。

设置UVC40为默认麦克风, 扬声器和摄像头

过程

1. 在空闲界面按**设置**。
2. 关闭**锁定设置**。
你需要输入会议室密码才能更改该配置。
3. 选择**麦克风**, 在**设备列表**区域选择**Echo Cancelling Speakerphone (Yealink UVC40 Audio)**作为音频输入设备。
4. 选择**扬声器**, 在**设备列表**区域选择**Echo Cancelling Speakerphone (Yealink UVC40 Audio)**作为音频输出设备。
5. 选择**摄像头**, 在**设备列表**区域选择 **Yealink UVC40 Camera**作为默认摄像头。

登录Zoom Rooms账号

过程

1. 在**开始会议**界面按**登录**。
2. 输入**电子邮件地址**和密码。
3. 按**登录**。

登出Zoom Rooms账号

过程

1. 在空闲界面按**设置**。
2. 按**会议室->退出登录**。
3. 如果**锁定设置**处于开启状态, 输入会议室密码, 然后按**确定**退出登录。

控制UVC40摄像头位置

过程

1. 在会议中按**控制摄像头**。
2. 按 **+** 或 **-** 调整摄像机的焦距。
3. 按方向键调整摄像机角度。

无线辅流分享内容

你可以使用WPP20无线传屏助手进行无线辅流分享内容。WPP20需要单独购买。
分享内容前, 确保MTouch II 已正确连接在MCore上。

过程

1. 将WPP20连接到MTouch II 的USB口。
2. 约3秒后, WPP20指示灯显示绿色常亮。
WPP20与MTouch II 配对成功。
3. 将WPP20连接到电脑上。



通过Windows更新系统

Zoom Rooms会议系统默认使用ZoomRoom帐户,只有ZoomRoomsAdmin帐户才有权限返回桌面操作mini-PC。切换到管理员帐户并开启Windows Update服务后,你可以手动升级设备(包括Windows,UVC40和MTouch II),或开启自动Windows更新升级设备。

 我们推荐使用无线键鼠完成Windows相关配置。

切换到ZoomRoomsAdmin帐户

过程

1. 按**Ctrl+Alt+Delete**,选择**注销**。
2. 在界面左下角选择**ZoomRoomsAdmin**帐户,输入密码(默认:zoom123)返回桌面。

重新切换回ZoomRooms帐户的密码默认也为zoom123。

开启Windows Update服务

过程

1. 在mini-PC桌面打开命令窗口。
2. 输入**services.msc**,按**Enter**键。
3. 找到**Windows Update**服务,双击打开**属性**。
4. 在**启动类型**区域,开启**Windows Update**服务。
5. 点击**确定**。

更新设备

你可以通过Windows Update手动更新设备,也可以开启自动Windows更新功能自动升级设备。

手动更新升级设备

过程

1. 执行以下任一操作:
 - 按**Windows+X**或者右击开始菜单打开**用户高级菜单**,选择**设备管理器**。
 - 选择并右击需要更新的设备,并选择**更新驱动程序**。
 - 选择需要更新的方式。
 - 点击开始菜单,选择**设置->更新和安全->Windows更新**,选择**检查更新**。
 - 选择需要更新的设备,并完成安装。

开启Windows自动更新

过程

1. 点击开始菜单,选择**设置->更新和安全->Windows更新**,再按**高级选项**。
2. 开启**自动下载更新**,即使通过按流量计费的数据连续也是如此(可能会收费)。

Regulatory Notices

Operating Ambient Temperatures

- Operating temperature: +32 to 104°F (0 to 40°C)
- Relative humidity: 5% to 90%, noncondensing
- Storage temperature: -22 to +160°F (-30 to +70°C)

Warranty

Our product warranty is limited only to the unit itself, when used normally in accordance with the operating instructions and the system environment. We are not liable for damage or loss resulting from the use of this product, or for any claim from a third party. We are not liable for problems with Yealink device arising from the use of this product; we are not liable for financial damages, lost profits, claims from third parties, etc., arising from the use of this product.

Explanation of the symbols

● DC symbol

— is the DC voltage symbol.

● WEEE Warning symbol

To avoid the potential effects on the environment and human health as a result of the presence of hazardous substances in electrical and electronic equipment, end users of electrical and electronic equipment should understand the meaning of the crossed-out wheeled bin symbol. Do not dispose of WEEE as unsorted municipal waste and have to collect such WEEE separately.

Restriction of Hazardous Substances Directive (RoHS)

This device complies with the requirements of the EU RoHS Directive. Statements of compliance can be obtained by contacting support@yealink.com.

Safety Instructions

Save these instructions. Read these safety instructions before use!

⚠ General Requirements

- Before you install and use the device, read the safety instructions carefully and observe the situation during operation.
- During the process of storage, transportation, and operation, please always keep the device dry and clean, avoid collision and crash.
- Please attempt not to dismantle the device by yourself. In case of any discrepancy, please contact the appointed maintenance center for repair.
- Please refer to the relevant laws and statutes while using the device. Legal rights of others should be respected as well.

⚠ Environmental Requirements

- Place the device at a well-ventilated place. Do not expose the device under direct sunlight.
- Keep the device dry and free of dusts.
- Do not place the device on or near any inflammable or fire-vulnerable object, such as rubber-made materials.
- Keep the device away from any heat source or bare fire, such as a candle or an electric heater.

⚠ Operating Requirements

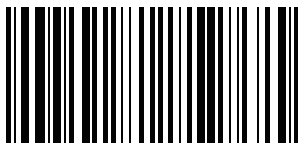
- Do not let a child operate the device without guidance.
- Do not let a child play with the device or any accessory in case of accidental swallowing.
- Please use the accessories provided or authorized by the manufacturer only.
- The power supply of the device shall meet the requirements of the input voltage of the device. Please use the provided surge protection power socket only.
- Before plugging or unplugging any cable, make sure that your hands are completely dry.
- Do not spill liquid of any kind on the product or use the equipment near water, for example, near a bathtub, washbowl, kitchen sink, wet basement or near a swimming pool.

About Yealink

Yealink is a global leading provider of enterprise communication and collaboration solutions, offering video conferencing service to worldwide enterprises. Focusing on research and development, Yealink also insists on innovation and creation. With the outstanding technical patents of cloud computing, audio, video and image processing technology, Yealink has built up a panoramic collaboration solution of audio and video conferencing by merging its cloud services with a series of endpoints products. As one of the best providers in more than 140 countries and regions including the US, the UK and Australia, Yealink ranks No.1 in the global market share of SIP phones shipments.

Technical Support

Visit Yealink WIKI (<http://support.yealink.com/>) for the latest firmware, guides, FAQ, Product documents, and more. For better service, we sincerely recommend you to use Yealink Ticketing system (<https://ticket.yealink.com>) to submit all your technical issues.



430104001427



- During a thunderstorm, stop using the device and disconnect it from the power supply. Unplug the power plug and the Asymmetric Digital Subscriber Line (ADSL) twisted pair (the radio frequency cable) to avoid lightning strike.
- If the device is left unused for a rather long time, disconnect it from the power supply and unplug the power plug.
- When there is smoke emitted from the device, or some abnormal noise or smell, disconnect the device from the power supply, and unplug the power plug immediately.
- Contact the specified maintenance center for repair.
- Do not insert any object into equipment slots that is not part of the product or auxiliary product.
- Before connecting a cable, connect the grounding cable of the device first. Do not disconnect the grounding cable until you disconnect all other cables.

⚠ Cleaning Requirements

- Before cleaning the device, disconnect it from the power supply.
- Use a piece of soft, dry and anti-static cloth to clean the device.
- Keep the power plug clean and dry.

Troubleshooting

The unit cannot supply power to device other than Yealink device.

There is a bad connection with the plug.

1. Clean the plug with a dry cloth.
2. Connect it to another wall outlet.

The usage environment is out of operating temperature range.

1. Use in the operating temperature range.

The cable between the unit and the Yealink device is connected incorrectly.

1. Connect the cable correctly.

You cannot connect the cable properly.

1. You may have connected a wrong Yealink device.

2. Use the correct power supply.

Some dust, etc., may be in the port.

1. Clean the port.

Contact your dealer or authorized service facility for any further questions.

FCC Statement

This device complies with part 15 of the FCC Rules. Operation is subject to the following

two conditions: (1) this device may not cause harmful interference, and (2) this device must accept any interference received, including interference that may cause undesired operation.

Any Changes or modifications not expressly approved by the party responsible for compliance could void the user's authority to operate the equipment.

IC Statement

This device complies with Industry Canada's licence-exempt RSSs. Operation is subject to the following two conditions:

(1) this device may not cause interference; and

(2) this device must accept any interference, including interference that may cause undesired operation of the device. CAN ICES-3(B)

Le présent appareil est conforme aux CNR d'Industrie Canada applicables aux appareils radio exempts de licence. L'exploitation est autorisée aux deux conditions suivantes :

(1) l'appareil ne doit pas produire de brouillage;

(2) l'utilisateur de l'appareil doit accepter tout brouillage radioélectrique subi, même si le brouillage est susceptible d'en compromettre le fonctionnement. NMB-3(B)

Contact Information

YEALINK NETWORK TECHNOLOGY CO.,LTD.

309, 3rd Floor, No.16, Yun Ding North Road, Huli District, Xiamen City, Fujian, P.R. C

YEALINK (EUROPE) NETWORK TECHNOLOGY B.V.

Strawinskylaan 3127, Atrium Building, 8th floor, 1077ZX Amsterdam, The Netherlands

YEALINK (USA) NETWORK TECHNOLOGY CO., LTD.

999 Peachtree Street Suite 2300, Fulton, Atlanta, GA, 30309, USA

Made in China